

Fuser Assembly Removal

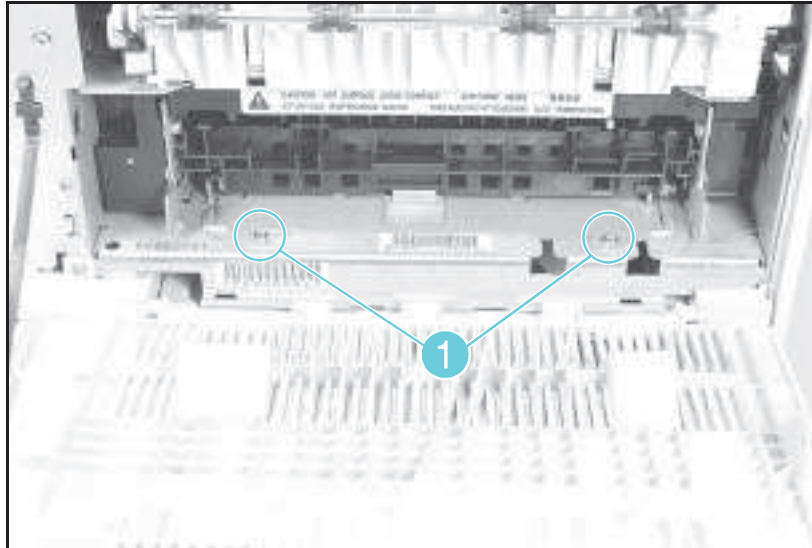


Figure 6-20 Fuser Assembly Screws

Caution *The Fuser Assembly may be hot.* Allow plenty of time for the fuser to cool before beginning the fuser removal procedure.

- 1 Open the rear door.
- 2 Remove the (2) screws that hold the Fuser to the printer frame (see Figure 6-20, callout 1).
- 3 Slightly lift the Fuser by both the right and left sides to clear the locator points.
- 4 Pull the Fuser from the printer.

Note The Fuser Assembly from the LaserJet 4 cannot be interchanged with the Fuser Assembly from the LaserJet 4 Plus or 5 printers.

Periodic Maintenance Procedures

Each paper source has a Paper Pickup Roller that should be replaced when paper no longer feeds reliably. The MP Tray (Tray 1) Paper Pickup Roller is shown in Figure 4-5. The PC tray (Tray 2) Pickup Roller is shown in Figure 4-7, the LC (Tray 3) Pickup Roller is shown in Figure 4-8.

Removing the MP Tray (Tray 1) Pickup Roller and Separation Pad

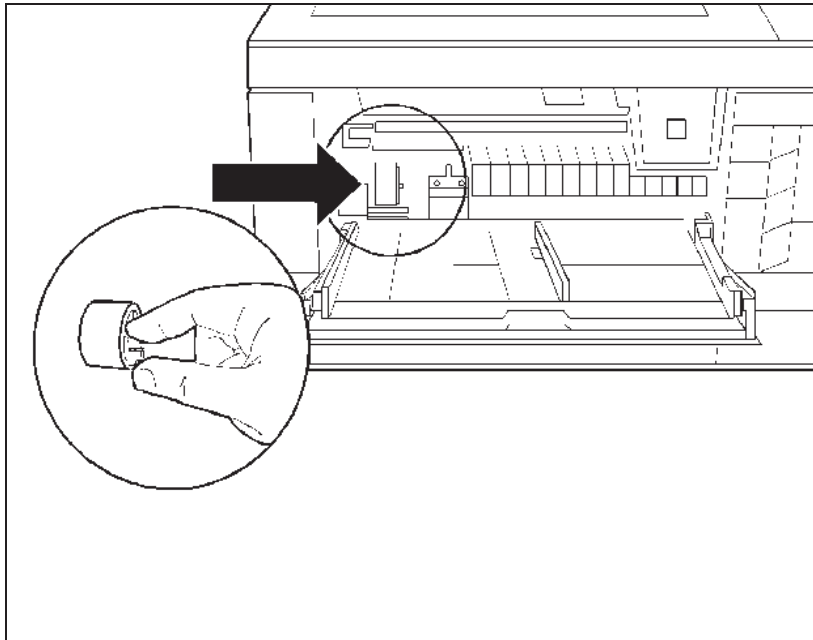


Figure 4-5 Removing the MP Tray (Tray 1) Pickup Roller

To remove and replace the MP (Tray 1) Pickup Roller and Separation Pad, follow the steps below.

- 1 Turn OFF and unplug the printer.
- 2 Remove the MP Tray (Tray 1) inner black plastic cover.
- 3 Remove the roller by pinching the plastic retaining clip at the side of the roller and sliding it off its shaft (see Figure 4-5).
(You may find it easiest to pinch the clip with your *right* hand and use your *left* index finger to slide the roller to the right.)

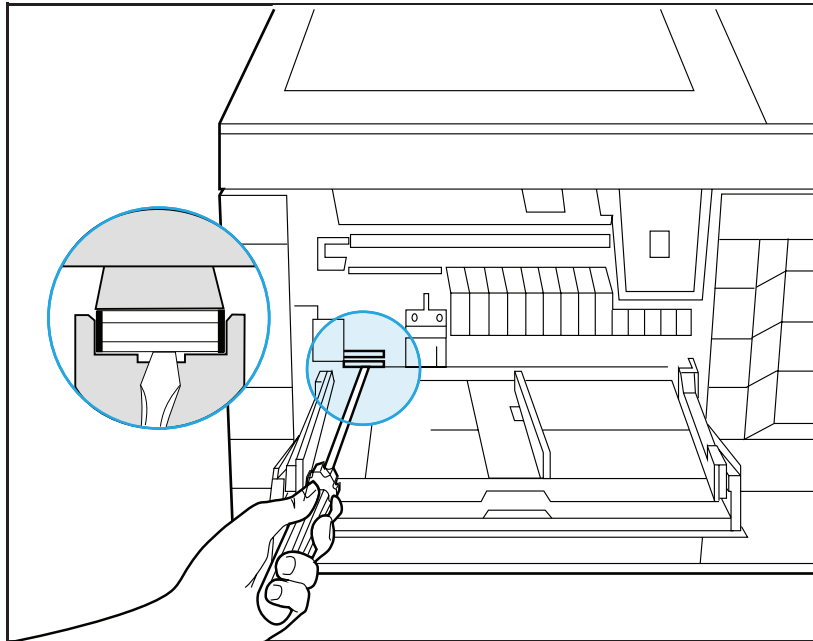


Figure 4-6 Removing the MP Tray (Tray 1) Separation Pad

- 4 Insert a small screwdriver into the indent at the front of the separation pad and gently lift the pad from its seat (see Figure 4-6).
- 5 Discard the used roller and pad.

Removing the PC (Tray 2) Pickup Roller

The PC Pickup Roller is underneath the printer (see Figure 4-7). To remove the Pickup Roller:

- 1 Turn OFF and unplug the power cord from the rear of the printer. If your interface cable is long enough, it may stay attached, if not, remove it also.
- 2 Remove the Toner Cartridge and the PC tray (Tray 2).
- 3 Lay the printer on its left side.
- 4 Remove the PC (Tray 2) Pickup Roller by pinching the release clips and sliding the roller off the shaft.

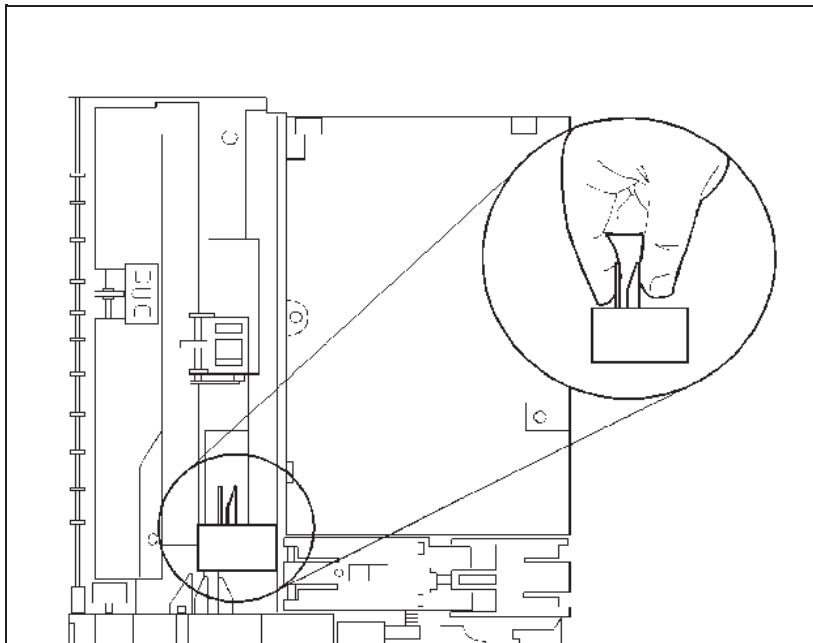


Figure 4-7 Removing the PC (Tray 2) Pickup Roller (printer is turned on its left side)

Removing the Lower Cassette (LC) or (Tray 3) Pickup Roller

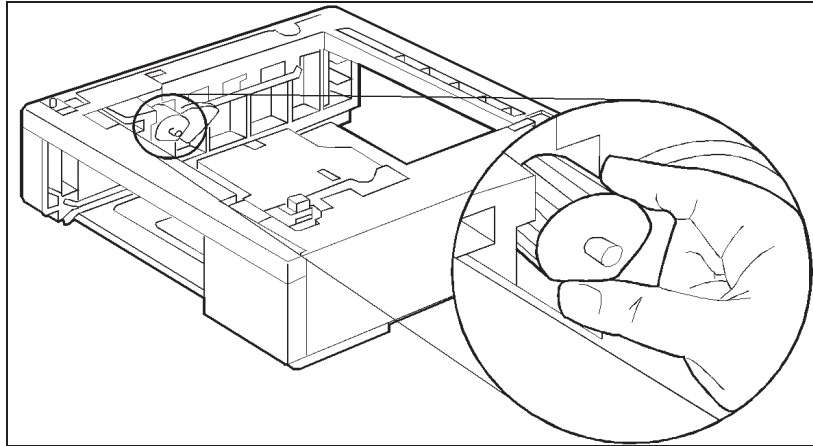


Figure 4-8 Removing the Lower Cassette Pickup Roller

If your printer is equipped with the Lower Cassette Assembly, proceed as follows:

- 1 Remove the Lower Cassette Tray.
- 2 Press the retainers that hold the roller in place (see Figure 4-8).
- 3 Slide the Pickup Roller off the shaft.

Removing and Replacing the Transfer Roller

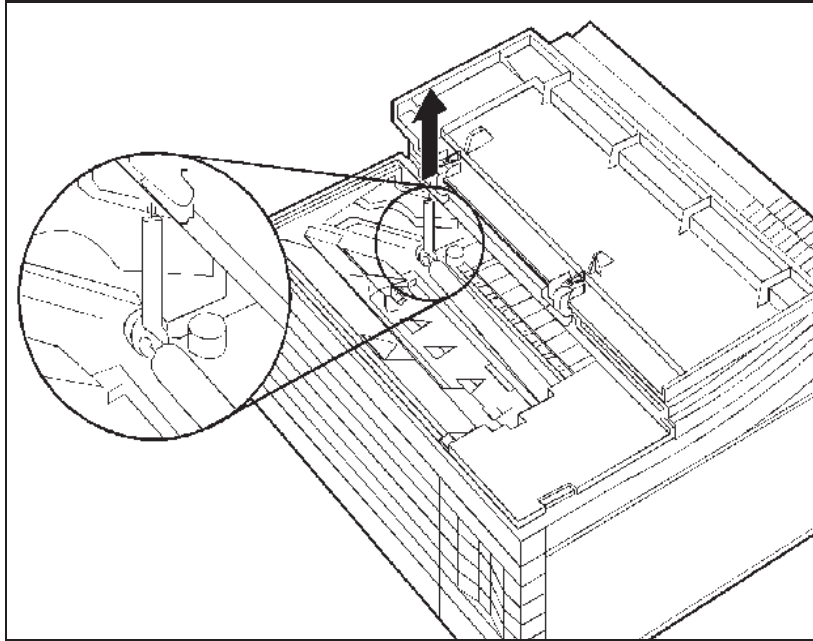


Figure 4-9 Replacing the Transfer Roller

The Transfer Roller is the black sponge-rubber roller located inside the printer just to the front of the black plastic Paper Feed Guide (see Figure 4-9). To remove and replace the Transfer Roller, follow these steps.

Note Do not handle the new Transfer Roller unnecessarily. Oils will build up on the roller and cause print quality problems.

Removing the Transfer Roller

- 1 Turn OFF and unplug the printer.
- 2 Open the printer's top cover.
- 3 Remove the Toner Cartridge.
- 4 Use the hook inside the top cover to remove the Transfer Roller as follows. Hook the left side of the chrome rod beside the sponge roller, and lift the roller out.
- 5 Discard the used roller.

Replacing the Transfer Roller

- 1 Slide the right end of the new roller (the end without the gear), onto the right slot. Press the rod into the slot.
- 2 Lower the gear end of the roller into place.
- 3 Install the toner cartridge.
- 4 Replace the hook tool.
- 5 Close the top cover.
- 6 Plug in the power cord and switch the printer ON.