

Replacing the fuser

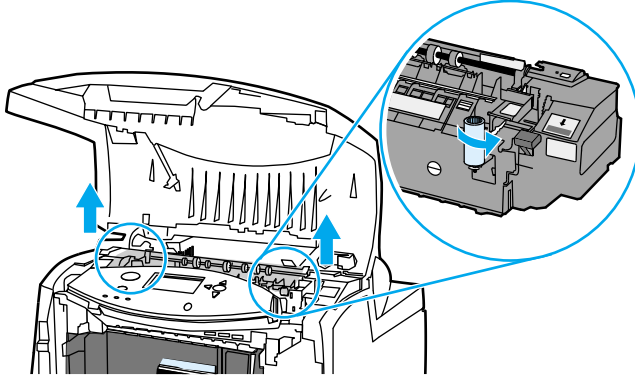
Replace the fuser when the printer control panel displays `REPLACE FUSER KIT`.

- 1 Turn the printer off.
- 2 Using the side handles, open the top cover.

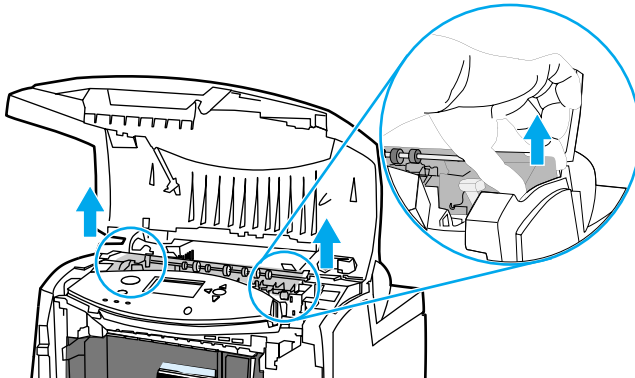
WARNING!

The fuser might be hot. Wait 10 minutes before proceeding.

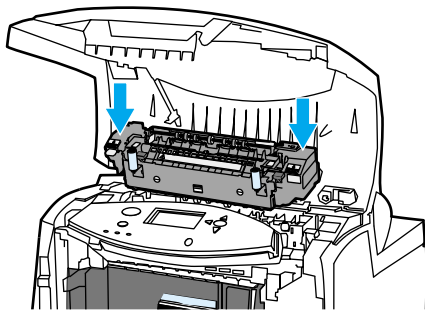
- 3 Completely loosen the blue thumb screws on either side of the fuser.



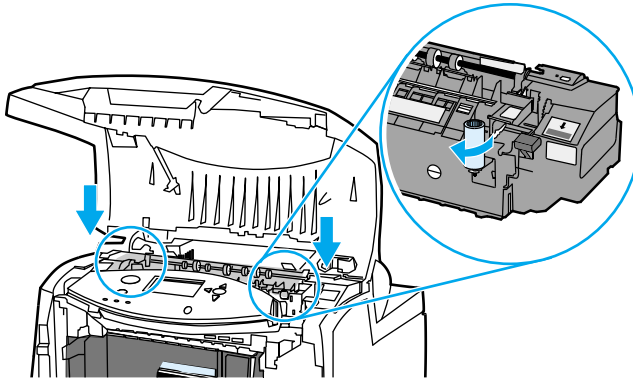
- 4 Grasp the ends and pull straight up to remove the fuser.





- 5 Remove the new fuser from the bag. Place the used fuser in the bag for recycling. See the enclosed recycling guide for recycling instructions.
- 6 Grasp the sides of the fuser and push down firmly into the printer.



- 7 Tighten the blue thumb screws.














- 8 Close the top cover, and turn the printer on. After a short while, the control panel should display NEW FUSER KIT=.
- 9 Press  to highlight YES.
- 10 Press  to reset the fuser count.

Replacing the fuser when it is not at end of life

If you replace the fuser when it is not at the end of its life, for instance if it is defective, you will need to reset the fuser count through the control panel.

To reset the fuser count, do the following:

- 1 Press  to enter the MENUS.
- 2 Press  to highlight CONFIGURE DEVICE.
- 3 Press  to select CONFIGURE DEVICE.
- 4 Press  to highlight RESETS.
- 5 Press  to select RESETS.
- 6 Press  to highlight RESET SUPPLIES.
- 7 Press  to select RESET SUPPLIES.
- 8 Press  to highlight NEW FUSER KIT.
- 9 Press  to select NEW FUSER KIT.
- 10 Press  to highlight YES.
- 11 Press  to reset the fuser count.

Internal components (front)

Paper pickup unit

- 1 Remove the DC controller shield. See page 155.
- 2 Move the ETB latch receptacles to the UP position. Use a screwdriver to rotate them because they are stiff.
- 3 Remove the two screws shown in callout 1.
- 4 Disconnect the connector (J1020, shown in callout 2) from the DC controller PCB.
- 5 Lift the paper pickup unit, and pull it forward. Guide the connector through the trough shown in callout 3.

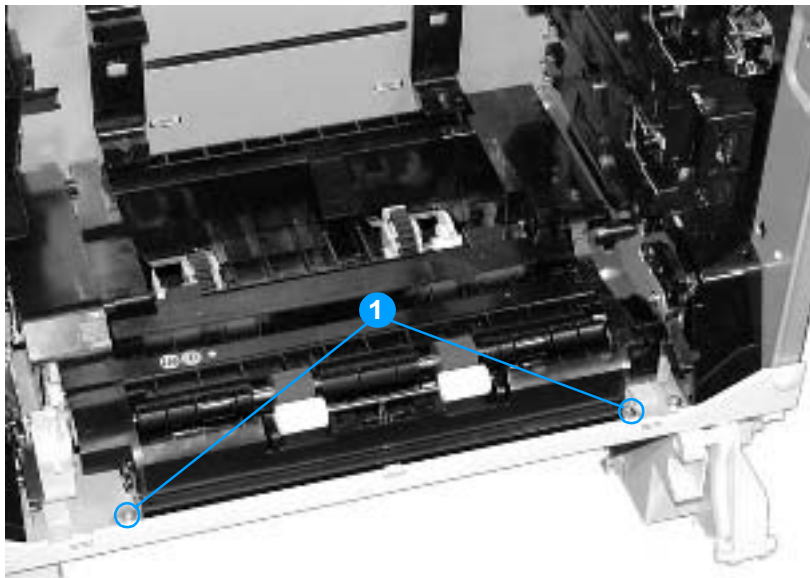


Figure 6-18 Removing and replacing the paper pickup unit (1 of 2)

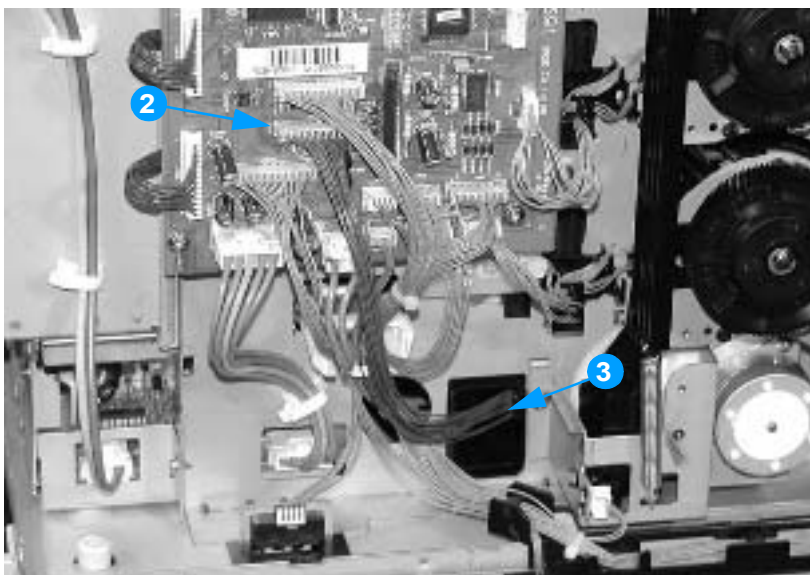


Figure 6-19 Removing and replacing the paper pickup unit (2 of 2)

Cassette (Tray 2) paper pickup rollers

To remove the paper pickup rollers

- 1 Remove the ETB and the print cartridges.
- 2 Remove the paper pickup unit. See page 156.
- 3 On the paper pickup unit, from the bottom, grasp the paper pickup rollers shown in callout 1, and firmly push down to remove them.

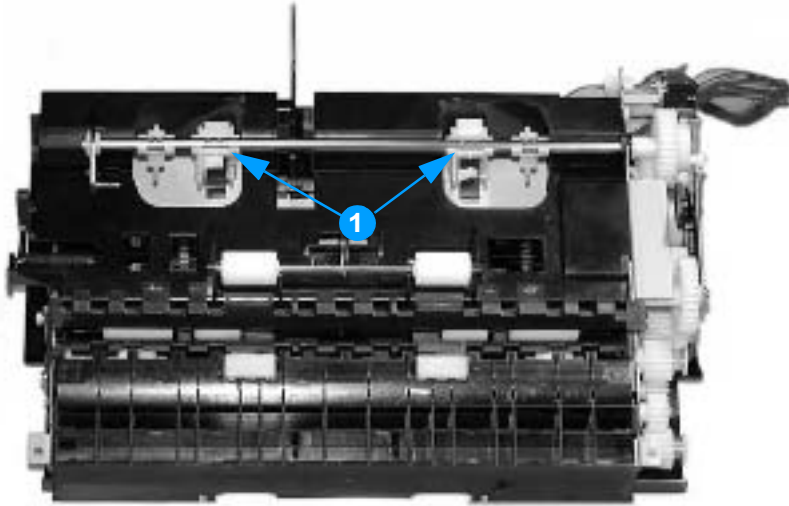


Figure 6-22 Removing the cassette pickup rollers

Reinstallation tip

When reinstalling the paper pickup rollers, be sure to fit the pins on the pickup roller into the holes on the pickup roller shaft.

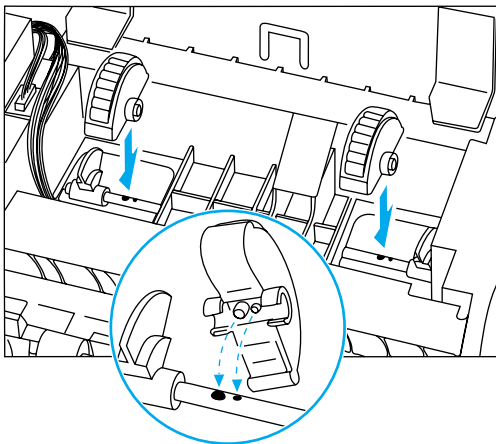


Figure 6-23 Replacing the cassette pickup rollers

Multi-purpose tray pickup roller and separation pad

To remove the multi-purpose tray pickup roller and separation pad

- 1 Remove Tray 2 from the printer, and remove any paper in the tray.
- 2 Rotate the two lock pins outward, shown in callout 1, and tilt the cassette cover forward.
- 3 Push the blue roller snap shown in callout 2 towards the back of the tray, and remove it.
- 4 Pull up on the multi-purpose tray pickup roller shown in callout 3, and remove it.
- 5 Push outward on the two tabs that hold the separation pad in place (callout 4).
- 6 Pull the separation pad forward to remove it (callout 5).

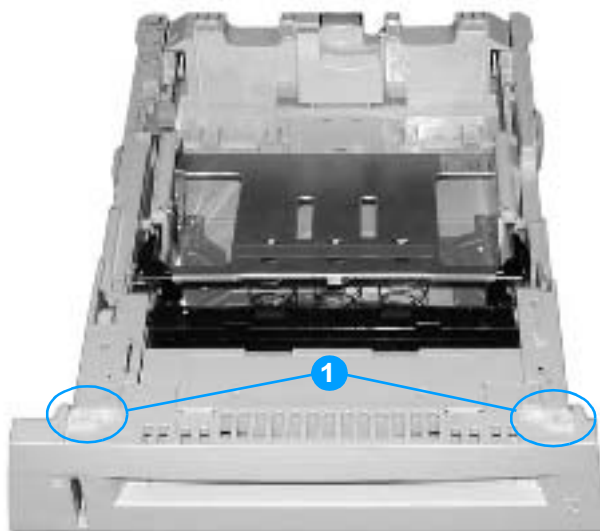


Figure 6-25 Removing and replacing the multi-purpose tray pickup roller and separation pad (1 of 2)

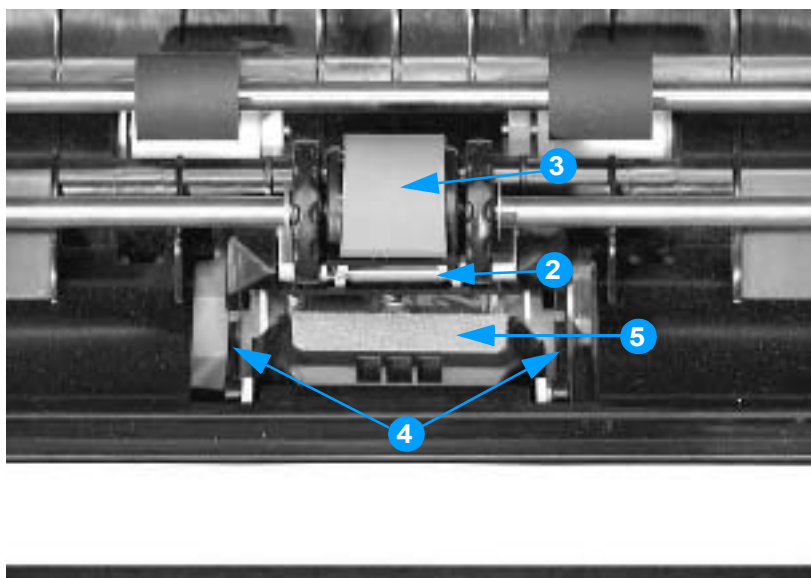


Figure 6-26 Removing and replacing the multi-purpose tray pickup roller and separation pad (2 of 2)

Note Always replace the separation pad when you replace the multi-purpose tray pickup roller.

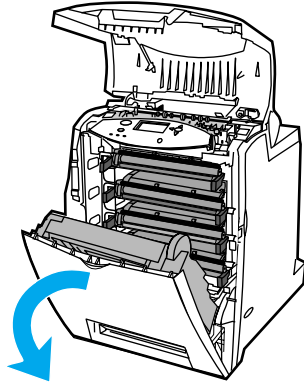
Replacing the transfer unit

Replace the transfer unit when the printer control panel displays: REPLACE TRANSFER KIT.

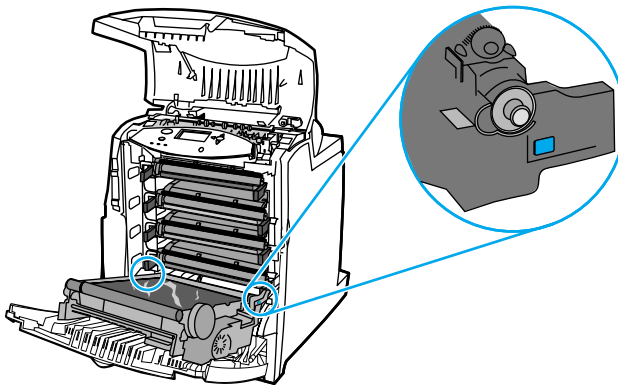
Note

If you replace the transfer unit when it is not at the end of life, for instance if it is defective, you will need to calibrate the printer and reset the transfer unit count through the control panel. See page 81 for instructions.

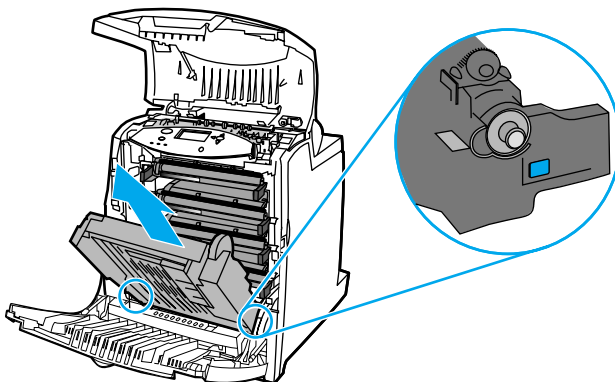
- 1 Turn the printer off.
- 2 Using the side handles, open the top cover.
- 3 Grasp the green handle on the transfer unit and pull down. The front cover will open as you pull down the transfer unit.



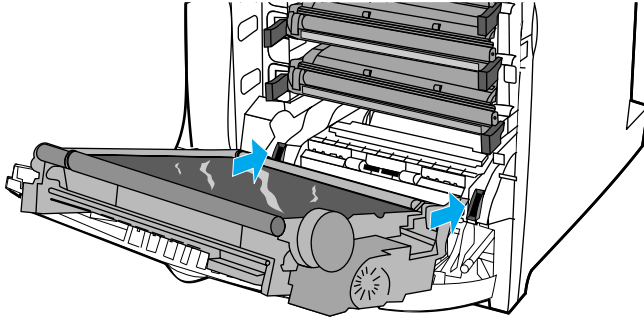
- 4 Locate the blue release buttons on either side of the transfer unit (near the bottom of the transfer unit).





- 5 Grasp the transfer unit with two hands. Simultaneously press in the blue buttons on either side of the transfer unit and slide the unit out of the printer.



- 6 Remove the new transfer unit from the bag. Place the used transfer unit in the bag for recycling. See the enclosed recycling guide for recycling instructions.
- 7 Hold the transfer unit on either side. Guide the feet into the cups and slide the transfer unit into the printer.










- 8 Close the transfer unit and front cover. Close the top cover and turn the printer on. After a short while, the control panel should display `NEW TRANSFER KIT=`.
- 9 Press  to highlight `YES`.
- 10 Press  to reset the transfer unit count.
- 11 Wait for the printer to calibrate.



Replacing the transfer unit when it is not at end of life

If you replace the transfer unit when it is not at the end of life, for instance if it is defective, you will need to calibrate the printer and reset the transfer unit count through the control panel.

To calibrate the printer, do the following:

- 1 Press  to enter the MENUS.
- 2 Press  to highlight CONFIGURE DEVICE.
- 3 Press  to select CONFIGURE DEVICE.
- 4 Press  to highlight PRINT QUALITY.
- 5 Press  to select PRINT QUALITY.
- 6 Press  to highlight CALIBRATE NOW.
- 7 Press  to select CALIBRATE NOW.
- 8 Wait for the printer to calibrate.

To reset the transfer unit count, do the following:

- 1 Press  to enter the MENUS.
- 2 Press  to highlight CONFIGURE DEVICE.
- 3 Press  to select CONFIGURE DEVICE.
- 4 Press  to highlight RESETS.
- 5 Press  to select RESETS.
- 6 Press  to highlight RESET SUPPLIES.
- 7 Press  to select RESET SUPPLIES.
- 8 Press  to highlight NEW TRANSFER KIT.
- 9 Press  to select NEW TRANSFER KIT.
- 10 Press  to highlight YES.
- 11 Press  to reset the transfer unit count.