

Main Cover and Paper Input Assembly

- 1 Remove the toner cartridge.
- 2 Remove memory door (HP LaserJet 5L and 6L).

CAUTION

Remove the memory door first (HP LaserJet 5L and 6L). The door will break if you remove the Main Cover without removing the memory door.

- 3 Remove the EP Door Assembly.
- 4 Remove the Back Cover.
- 5 Remove the (2) screws from the top of the printer (Figure 6-6, callout 1).
- 6 Grasp the two lower, front corners of the printer and pull gently outward to release the front of the Main Cover.
- 7 Lift the cover straight off.
- 8 Remove the Paper Input Assembly (Figure 6-6, callout 2) by rotating it forward and lifting it out with firm pressure.

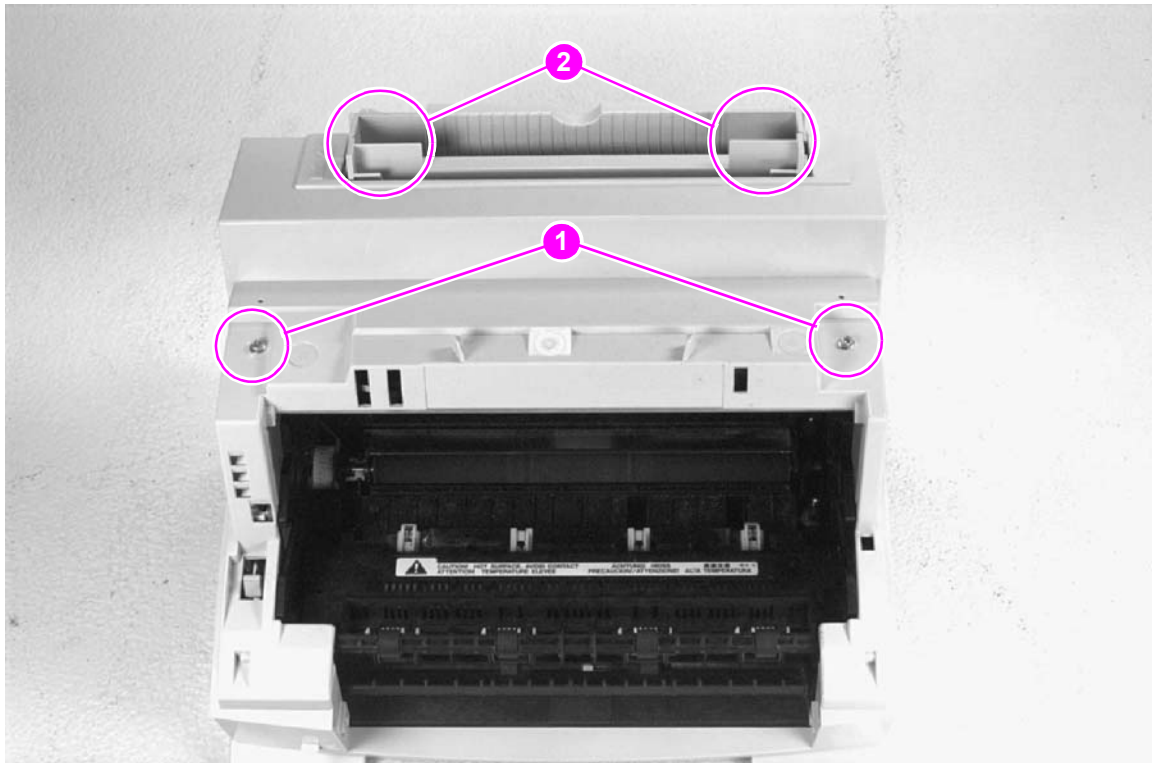


Figure 6-6 Main Cover and Paper Input Assembly removal

Note

When replacing the Paper Input Assembly, make certain that the mylar sheet is positioned between the Input Feed Roller and Separation Pad and that the sheet is not folded or bent.

Internal assemblies

Control Panel

Procedure for HP LaserJet 5L and 6L

- 1 Remove the Printer Covers.
- 2 Use the needlenose pliers to release the Control Panel connector (Figure 6-7, callout 1).
- 3 Press the tab on the top of the Control Panel downward (Figure 6-7, callout 2). The Control Panel will pop out of the printer chassis.
- 4 Lift the Control Panel out.

Procedure for HP LaserJet 6L Pro

- 1 Remove the Printer Covers.
- 2 Press the tab on the top of the Control Panel downward (Figure 6-7, callout 2). The Control Panel will pop out of the printer chassis.

Note

The Control Panel on the HP LaserJet 6L Pro is soldered directly to the wiring harness. It is not attached with a connector. **Do not** try to separate the Control Panel from the wiring harness.

- 3 Press the tab on the top of the Control Panel downward (Figure 6-7, callout 2). The Control Panel will pop out of the printer chassis.
- 4 Carefully remove the cable from the guides on the printer chassis.

Note

The other end of the wiring harness is attached to the Formatter PCA with a connector. See “Formatter PCA” later in this chapter for more information.

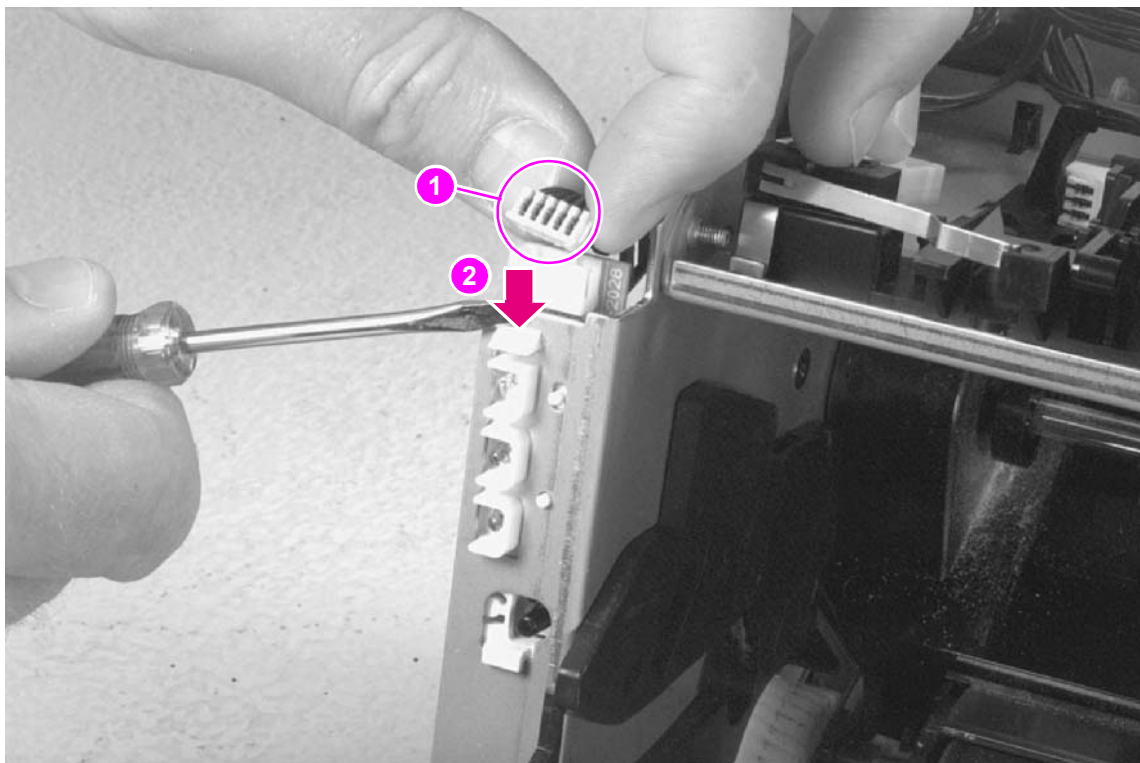


Figure 6-7 Control Panel removal

Exit Roller Assembly

- 1 Remove Printer Covers.
- 2 Grasp both tabs at the lower ends of the Exit Roller bushings and pull inward. This will release the tabs from the printer chassis (Figure 6-8, callout 1).
- 3 Rotate the tabs 90 degrees, clear of the printer chassis (Figure 6-8, callout 2).
- 4 Lift the roller out.

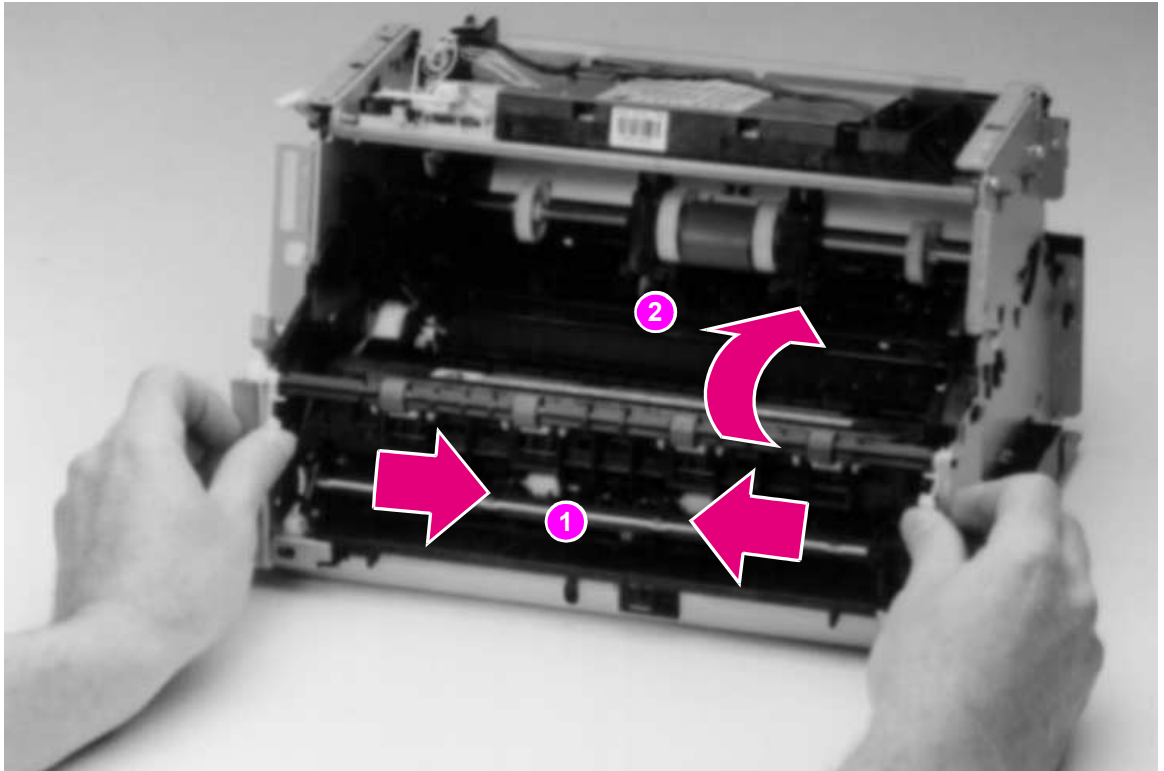


Figure 6-8 Exit Roller removal

To reinstall

The end of the Exit Roller that has a gear attached must fit into the gear train. Although it is possible to reinstall the Exit Roller so that the gear end is on the opposite side of the printer, this placement would cause paper path problems.

Delivery Assembly

- 1 Remove the Printer Covers and Exit Roller Assembly.
- 2 Remove the EP Right-hand assembly by pressing inward on the tab (Figure 6-9, callout 1) and sliding the assembly toward the front of the printer (Figure 6-9, callout 2).

Note

The EP Right-Hand assembly must be removed to access any fuser components.

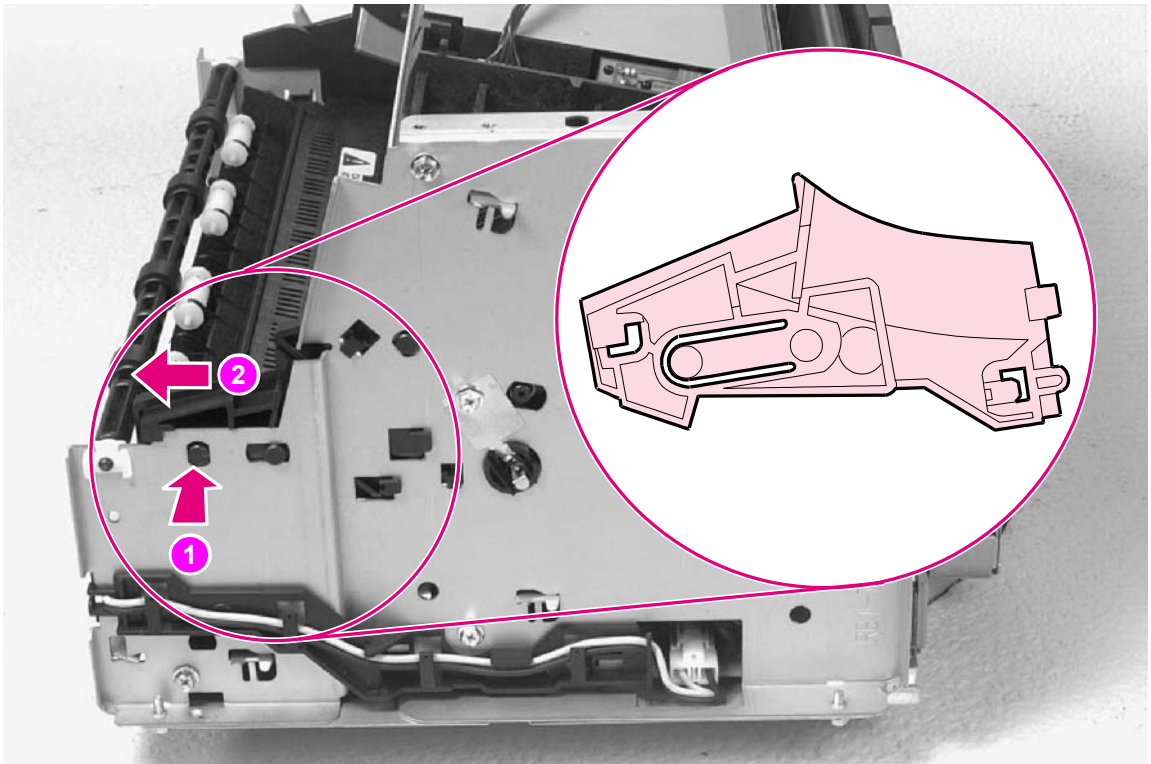


Figure 6-9 Delivery Assembly removal (1 of 2)

- 3 Use the magnetic screwdriver to remove the (2) screws (Figure 6-10, callout 1).
- 4 Rotate the rear of the Delivery Assembly up and forward, then lift it out of the printer.

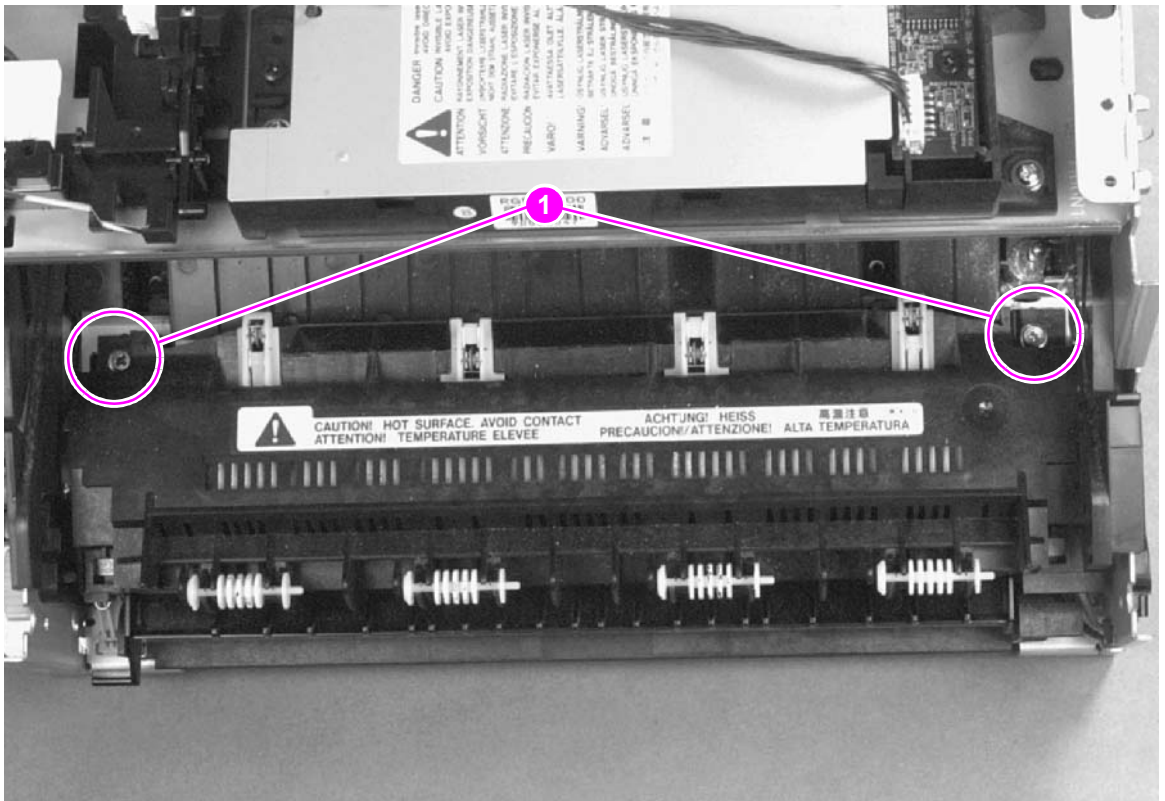


Figure 6-10 Delivery Assembly removal (2 of 2)

Note

When reinstalling the Delivery Assembly, make sure that the tabs on the front end of the Delivery Assembly fit under the sheet metal fuser plate below.

Fuser Pressure Plate

- 1 Remove Printer Covers and Delivery Assembly (Figures 6-9 and 6-10).
- 2 Remove the (2) screws (Figure 6-11, callout 1).
- 3 Press the Fuser Plate retainer clips out to release the Pressure Plate (Figure 6-11, callout 2).
- 4 Rotate the plate around and toward the back. Lift up to remove it (Figure 6-11, callout 3).

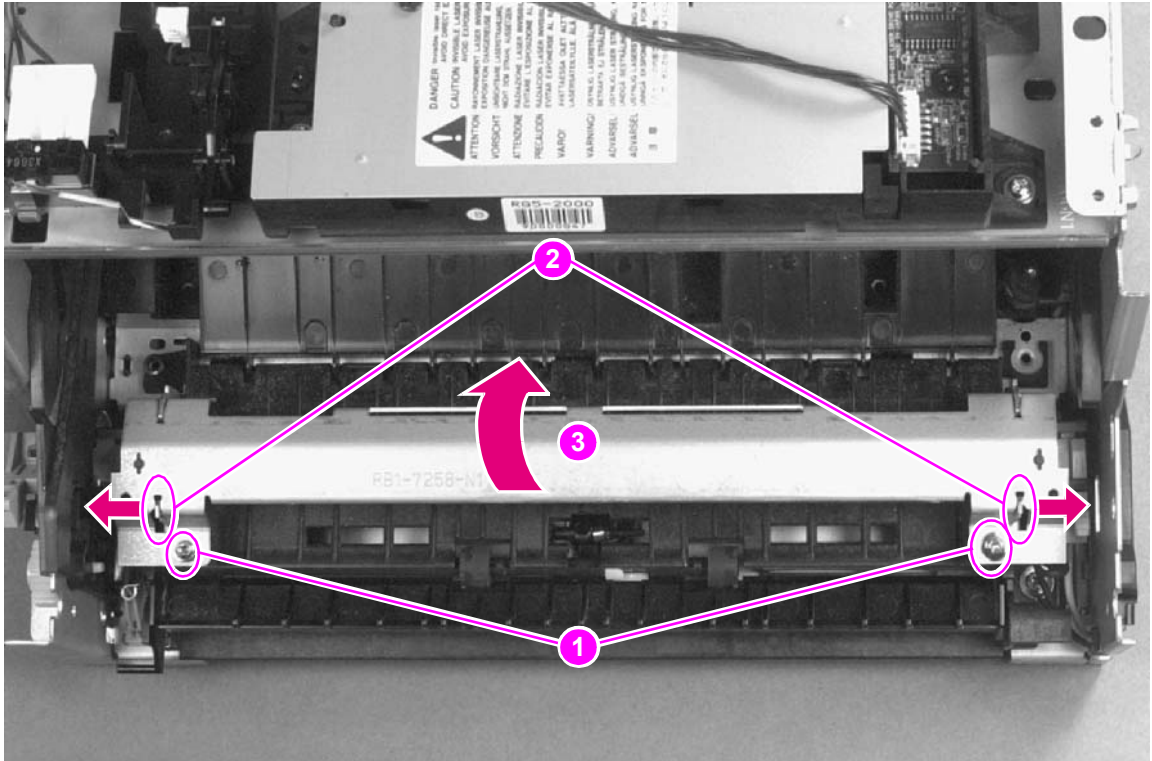


Figure 6-11 Fuser Pressure Plate removal

To reinstall

The Fuser Pressure Plate is kept in place by four locking mechanisms in each corner. Place the rear slits in the plate over the rear brackets that hold the Fusing Assembly (Figure 6-12, callout 1). Lower the plate over the retaining clips, pressing on both sides of the Fuser Pressure Plate (Figure 6-12, callout, 2). It is important that the spring is placed over the positioning pin (callout 3) because inadequate pressure will cause fusing problems. Replace the screws.

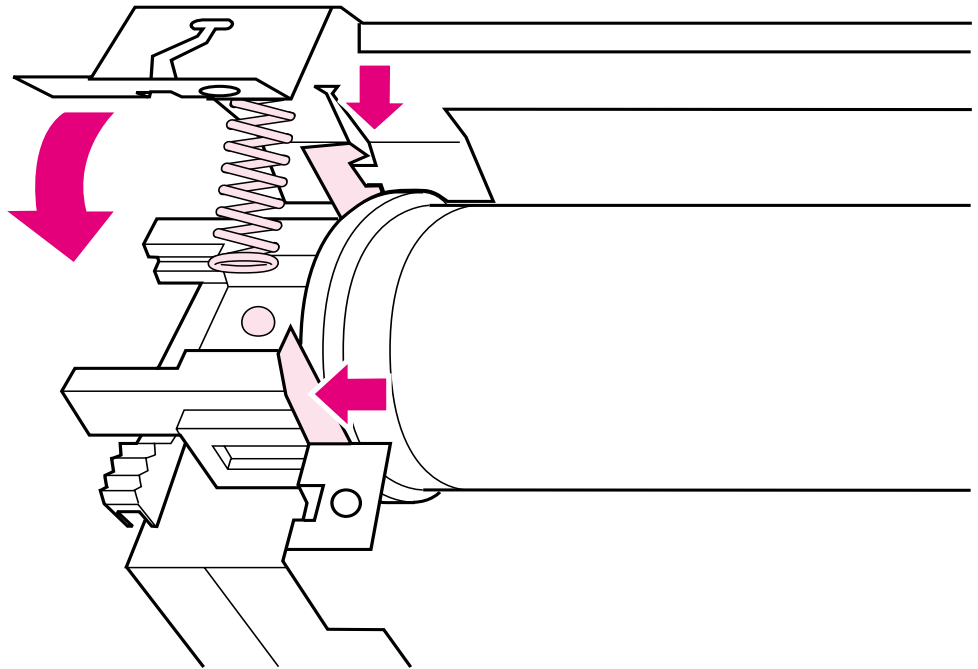


Figure 6-12 Fuser Pressure Plate replacement

Heating Element

- 1 Remove Printer Covers, Delivery Assembly (Figures 6-9 and 6-10), and Fuser Pressure Plate (Figure 6-11).
- 2 Remove the wire cover (on the right side of the printer) for the Heating Element wires by pressing in on the tab and pulling outward (Figure 6-13, callout 1).

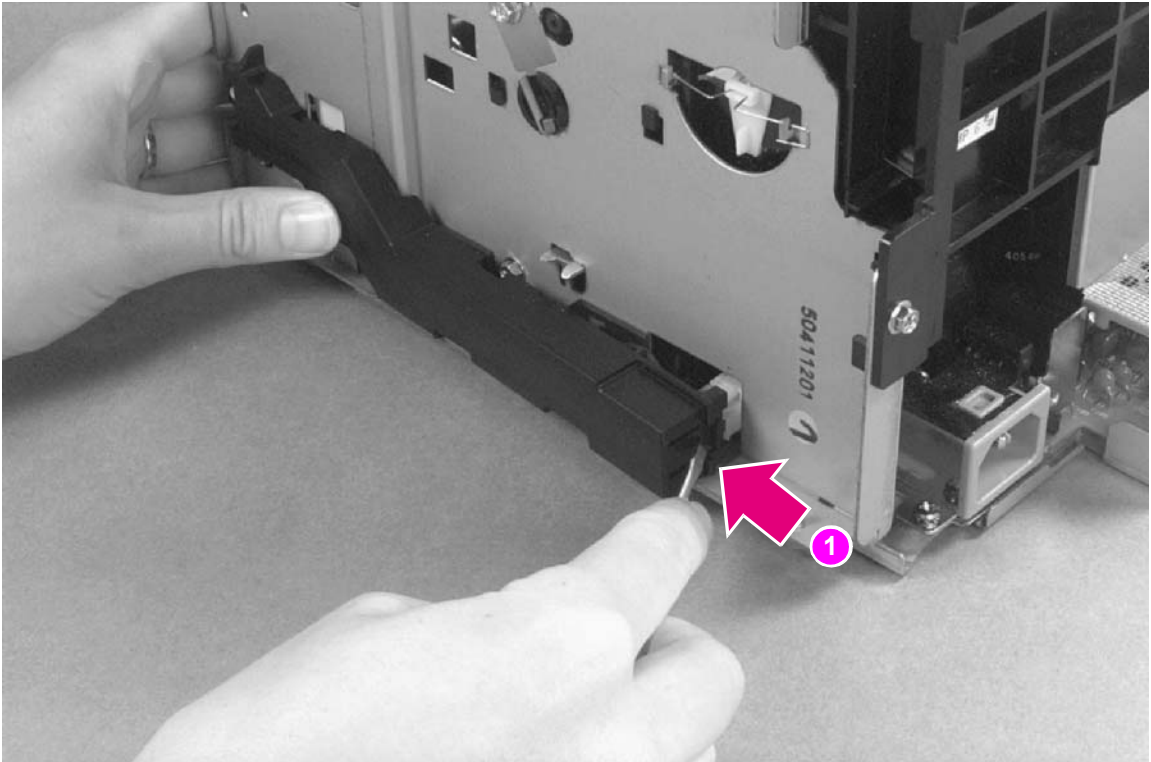


Figure 6-13 Heating Element removal (1 of 3)

- 3 Disconnect the AC voltage to the Heating Element by releasing the connector located on the DC Controller. Press down on the connector release with a small, flathead screwdriver (Figure 6-14, callout 1). (Because this is a small space, it is much easier to reach the connector with a screwdriver.) Pull straight out (Figure 6-14, callout 2).

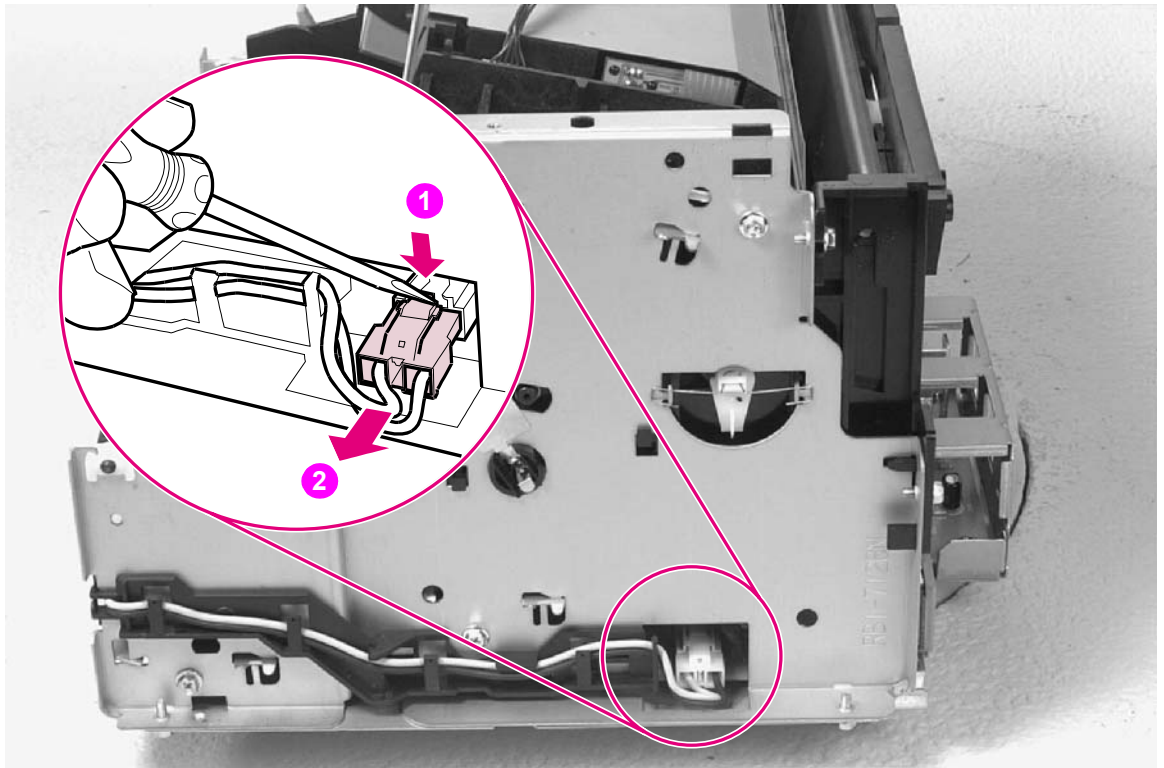


Figure 6-14 Heating Element removal (2 of 3)

- 4 Remove the wire from the wire guides along the right-side of the printer.
- 5 Disconnect the thermistor feedback connector in the left front side of the Fusing Assembly (Figure 6-15).

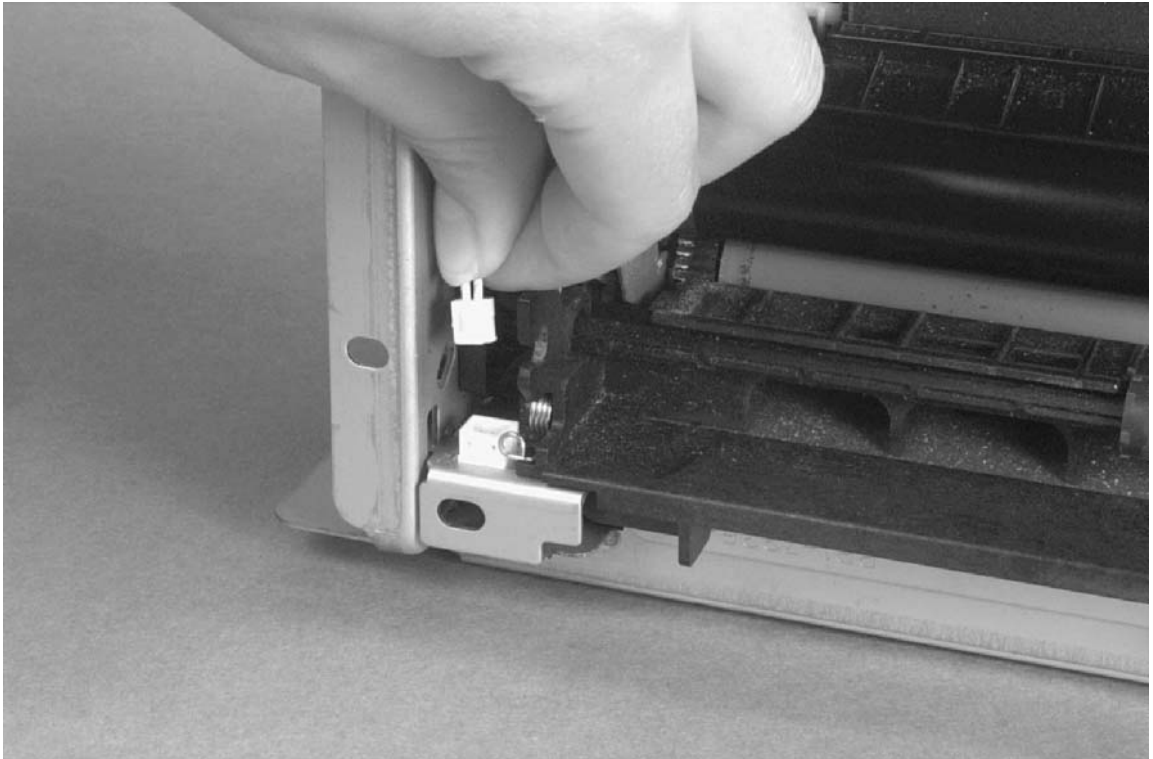


Figure 6-15 Heating Element removal (3 of 3)

- 6 Lift the Heating Element out.

To reinstall

Make sure the connectors are properly reattached.

Pressure Roller

- 1 Remove Printer Covers, Delivery Assembly (Figures 6-9 and 6-10), Fuser Pressure Plate (Figure 6-11), and Heating Element (Figures 6-13 through 6-15).
- 2 Remove the Pressure Roller guide by lifting the edge (Figure 6-16, callout 1) and then rolling it gently backward (Figure 6-16, callout 2).

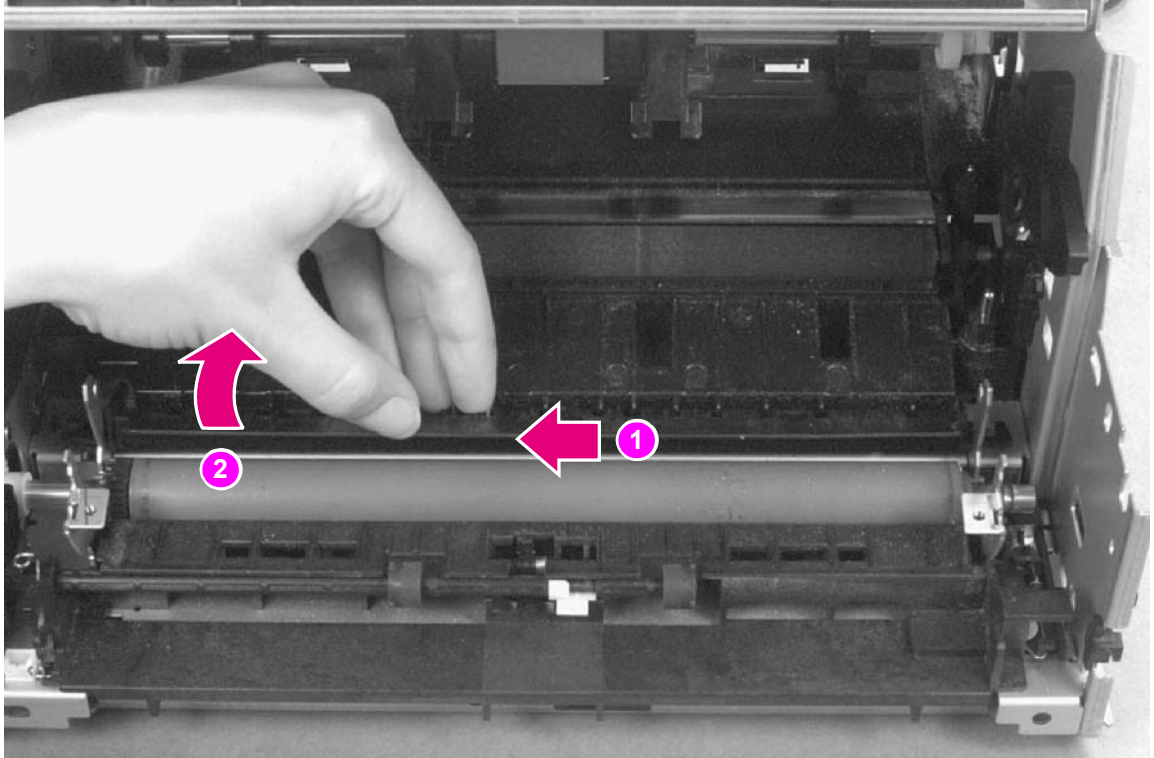


Figure 6-16 Pressure Roller Guide removal

- 3 Lift the right end of the Pressure Roller up and out of the printer chassis.

Note The right end of the Pressure Roller is greased.

- 4 The left side will follow easily with the Pressure Roller gear still attached.

Note When reinstalling the Pressure Roller, apply a drop of grease to the grounding plate on the right side of the shaft. (Refer to Chapter 8 for a part number.)

Face-Up/Face-Down Lever

- 1 Remove Printer Covers, Delivery Assembly (Figures 6-9 and 6-10), Fuser Pressure Plate (Figure 6-11), and Heating Element (Figures 6-13 through 6-15), and Pressure Roller (Figure 6-16).
- 2 Rotate the lever forward 90 degrees (past the spring) and pull it straight out the front of the printer.

To reinstall

- 1 Make sure the lever arm is on the left and is initially pointing downward.
- 2 Pull the spring forward using needlenose pliers.
- 3 Slide the short, round tabs into the grooves on the Separation Guide Assembly. The machined ridges on the lever will face you.
- 4 Release the spring so it falls in place in front of the square tab (Figure 6-17).

Note

While the shape of the lever was changed for the HP LaserJet 6L (a stiffening rod was also added), these procedures for Face-Up/Face-Down Lever removal remain unchanged. Figure 6-17 shows the lever from an HP LaserJet 5L.

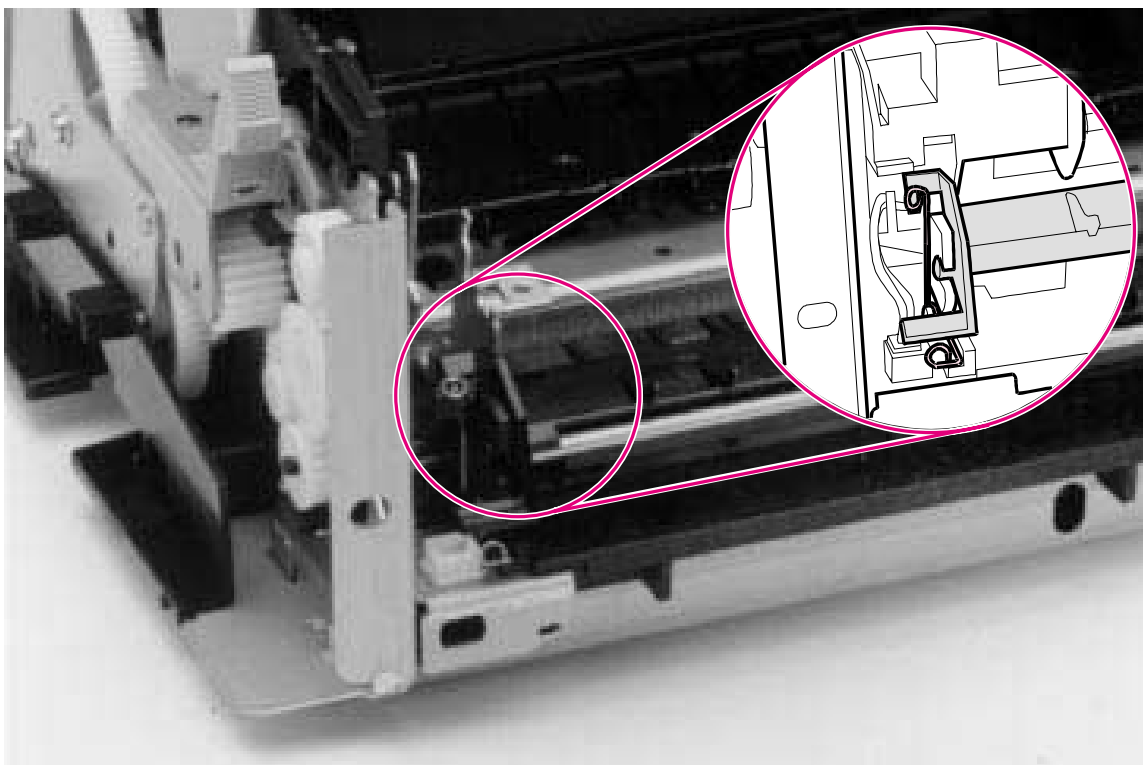


Figure 6-17 Face-Up/Face-Down Lever replacement

Note

You can tell when the lever is in place because there are two plastic grooves that fit precisely in front of the Exit Rollers, and you should be able to feel the spring's release mechanism.

Fuser Exit Roller Assembly

- 1 Remove Printer Covers, Delivery Assembly (Figures 6-9 and 6-10), Fuser Pressure Plate (Figure 6-11), and Heating Element (Figures 6-13 through 6-15), Pressure Roller (Figure 6-16), and Face-Up/Face-Down Lever (Figure 6-17).
- 2 Remove the gear from the left end of the roller shaft by pressing down on the catching mechanism with the small flathead screwdriver and pulling the gear away.
- 3 Remove the Exit Roller Assembly by pressing the small, white tab upward (Figure 6-18, callout 1) and rotating it around (Figure 6-18, callout 2).

Note

While the shape of the white tab was changed for the HP LaserJet 6L, these procedures for Fuser Exit Roller Assembly removal remain unchanged. Figure 6-18 shows the white tab from an HP LaserJet 5L.

- 4 Slide the Exit Roller Assembly forward and out to the right of the printer.

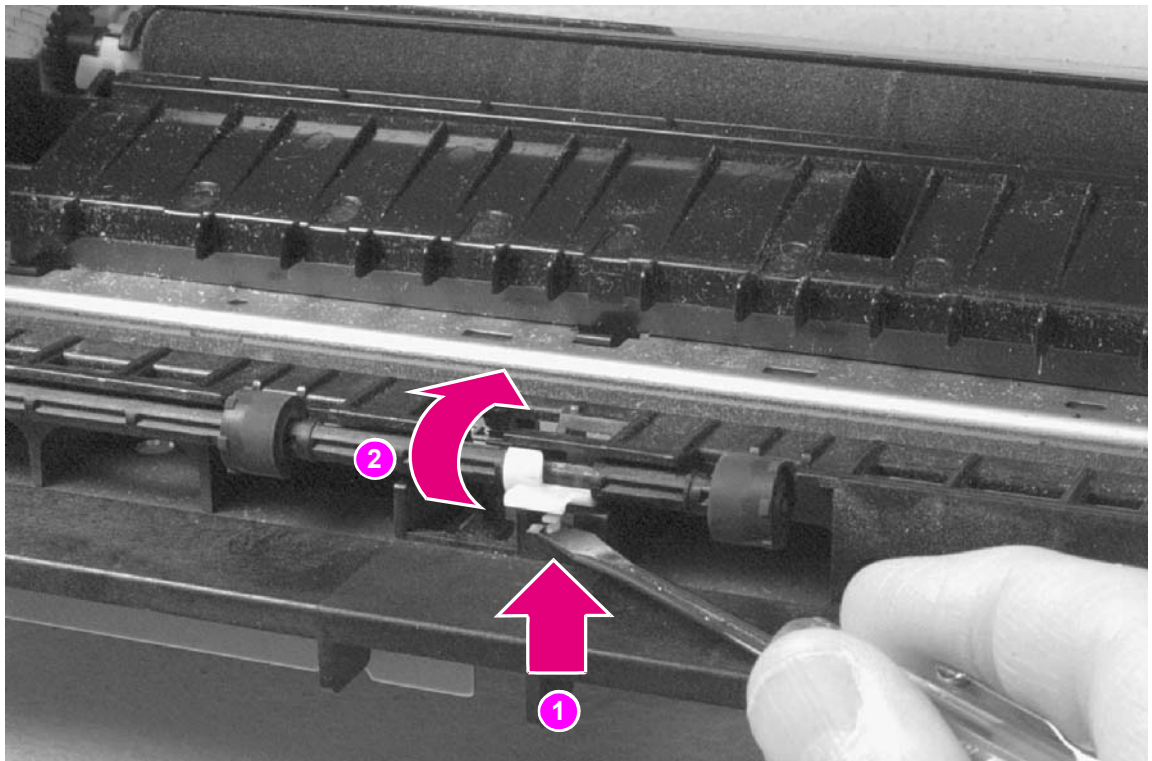


Figure 6-18 Fuser Exit Roller removal